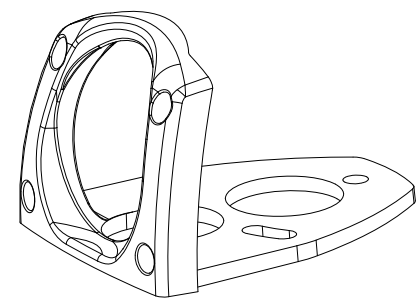
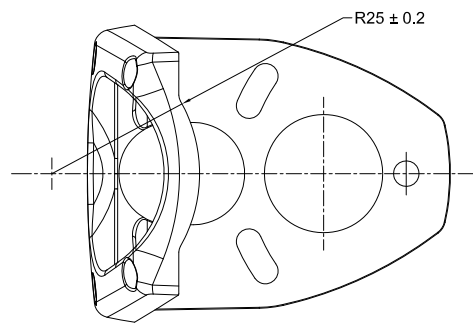
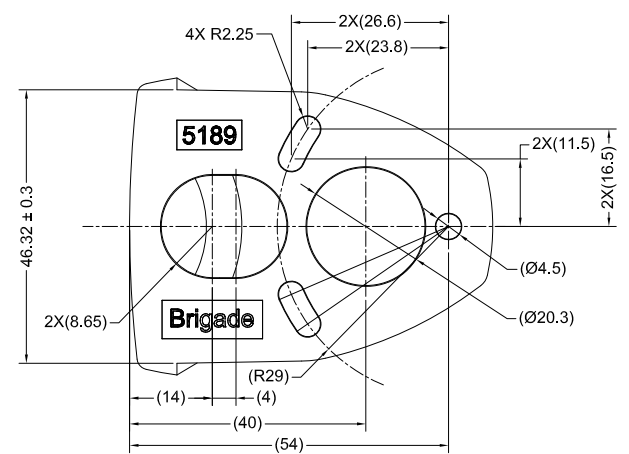
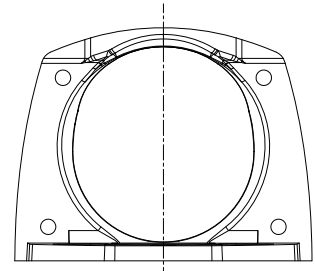
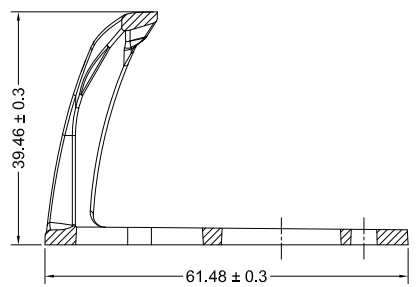
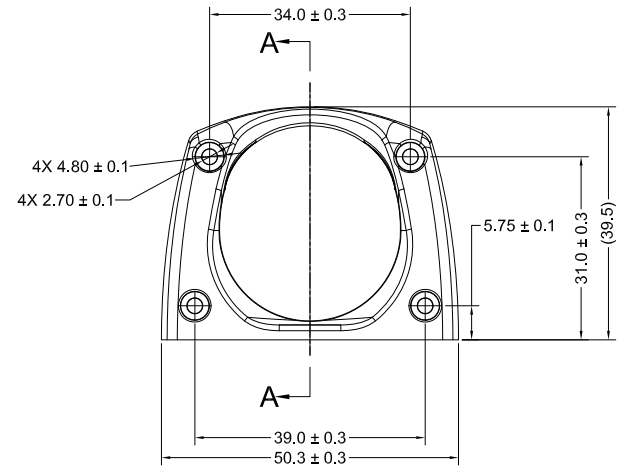


Revision Notes.				
R1 -				
APA: -	Drawn:-	Checked:-	Approved:-	Date: -



SECTION A-A



- NOTES:
1. COLOUR BLACK.
  2. MATERIAL: ALUMINUM GRADE ADC12.
  3. SURFACE TREATMENT: POWDER COATING, MATT SURFACE.
  4. NO BURRS, NO STRAINS & NO SHARP CORNERS ON ANY FACE.
  5. REFER TO ASSEMBLY PLANT DRAWING SV01409 REV 0 FOR DETAILED DIMENSIONS.
  6. PART MUST NOT BE DEFORMED AND WARPED.
  7. ALL DIMENSIONS MARKED WITH \*\* ARE KEY DIMENSIONS.
  8. ALL DIMENSIONS ARE BEFORE SURFACE TREATMENT APPLIED.

**PROPRIETARY NOTICE**  
 THIS DESIGN AND TECHNICAL INFORMATION APPEARING ON THIS DRAWING IS THE PROPERTY OF BRIGADE ELECTRONICS, AND IS DISCLOSED IN CONFIDENCE. IT IS NOT TO BE COPIED, REPRODUCED, REVEALED TO OR EXPROPRIATED BY OTHERS, EITHER IN WHOLE OR IN PART WITHOUT THE EXPRESS WRITTEN CONSENT OF BRIGADE ELECTRONICS.



Assembly Pl Approval SHILONG SONG (08/12/16)	Approved by B. JOHN	Checked by R.PENTLEY	Drawn by M.BUTLER
Angle of Projection 	Units mm	Scale N/A	Released 08/12/16
Status RELEASED		Assembly Ref VBV-3XXC-FH	
Part No 5189		BE-003458-00-16	